



**TEST TERMINAL BLOCK**

KAM Test Terminal Block is connected with Ammeter, Voltmeter, KWH meter, Trivector Meters etc. enables site testing to be made without disturbing the existing panel wiring leading to consumers. Any instrument or shorting of the Ct secondary winding can be done through Test Terminal Block easily.

KAM Test Terminal Block are available in different versions, front or back connected suitable for 3 phase 3 wire and 3 phase 4 wire configuration. Link type shorting or screw type shorting can be given for CT.

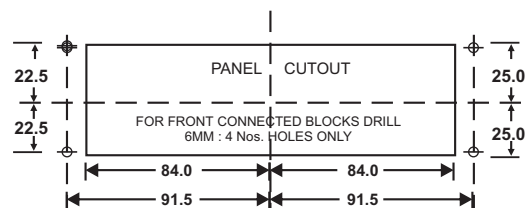
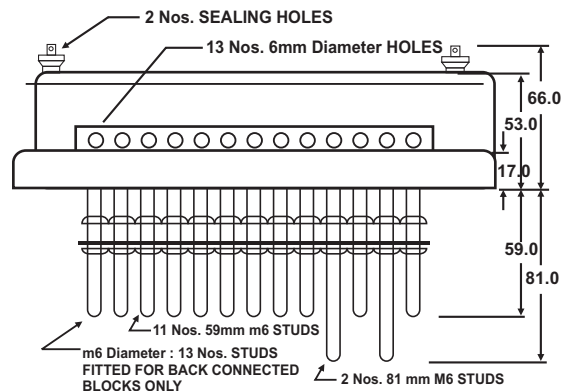
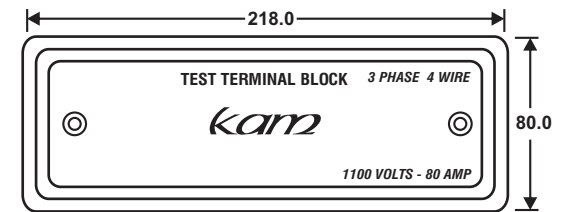
**Technical Data :**

We manufacture 7 different sizes of Block depending on customers need. Max. rated current 80 A, Voltage 660 V. Block is made up of Bakelite and cover is either Bakelite or Polycarbonate.

Volatge Rating : 660/1100 V

Current Rating : 80 A continuous at 50° C.

Diameter of entries : 6 mm



**AUTOMATIC SEMAPHORE INDICATOR**

KAM Automatic Semaphore Indicators are used in MIMIC Diagram on control & Instrumentation Panels to indicate open and close position of isolator, Circuit Breaker, PT ON/OFF Switch etc. The Pointer takes up position of supervised equipment and turn right angle when breaker, isolator etc. is in open position. It takes intermediate position i.e. 45° on power fail condition. Basic Unit is 24/30 VDC and a Screw in type resistor is connected in center terminal for higher voltages. Tested as per IS 3231:1965.

**Technical Specification :**

- Size : 36, 48, & 63 mm bazel dia
- Operating voltage : 70-120 % of rated voltage
- Mechanical Life : Tested for 1 Lakh operations
- Rated voltages : 24 - 250 V DC
- Cutout : 32.5 F for 36 mm
- 40.5 F for 48 and 63 mm

